

APS910 Phantom Power Adapter

OVERVIEW

The APS910 is a professional phantom power adapter designed to convert 9-52 volts of phantom power to 2.5 volt electret microphones with an internal impedance converter and internal load. It's supplied with a wide range of Audix electret condenser microphones.

Features include immunity from RF, low noise circuitry, gold plated input and output connectors, RoHS compliant. The APS910 is manufactured with a precision die cast zinc alloy, durable black E-coat finish and gold plated XLR connectors.

INCLUDED PRODUCTS

The APS910 phantom power adapter is provided with the following Audix microphones:

- **ADX Series** - ADX20iP, ADX40 & ADX60
- **Instrument Microphones** - MicroD, MicroHP and f90

COMPATIBILITY

The APS910 phantom power adapter is also compatible with the following Audix microphones:

- **Instrument Microphone** - ADX10FLP
- **Headworn Microphones** - ADX10, HT5, HT7BG3P and HG7B3P



FEATURES

- Gold plated XLR connectors
- Low noise circuitry, low distortion
- Operates on 9-52 V phantom
- Immune to RF
- Able to drive long balanced cable runs
- Designed, assembled & tested in the USA
- 1 year warranty

APPLICATIONS

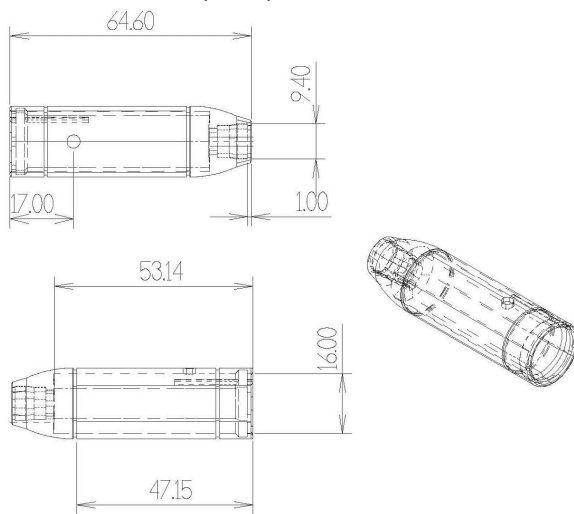
- Product's requiring a phantom power adaptor with a mini 3 pin XLRm connector.

APS910

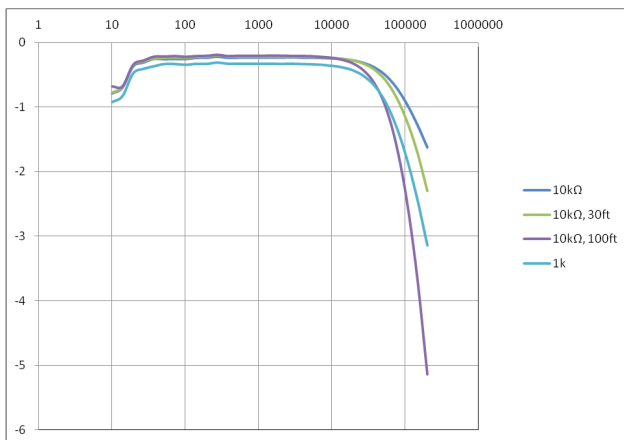
SPECIFICATIONS

Frequency Response	20Hz - 20 kHz
Output Resistance	200 Ω
Input Resistance	>50k Ω
Power Requirements	9-52 V phantom
DC Output Voltage	2.5 BDC
DC Current	2mA maximum
Voltage Gain	>-0.3 dB
Distortion	<0.03% @ 1 kHz, 100mVrms input <1% @ 1kHz, 1Vrms input
Connector	Gold plated XLR
Length	64.6 mm / 2.5 in
Weight	170 g / 6 oz

DIMENSIONS (mm)



FREQUENCY RESPONSE



PRODUCT REGISTRATION: Please register your product online at www.audixusa.com/docs_12/about/product_registration.shtml.

SERVICE AND WARRANTY: This microphone is under warranty for a period of 3 years to be free of defects in material and workmanship. In the event of a product failure due to materials or workmanship, Audix will repair or replace said product at no charge with proof of purchase. Audix does not pay or reimburse shipping costs for warranty repairs or returns. The warranty excludes any causes other than manufacturing defects, such as normal wear, abuse, environmental damage, shipping damage or failure to use or maintain the product per the supplied instructions. No Implied Warranties: All implied warranties, including but not limited to implied warranties of merchantability and fitness for a particular purpose are hereby excluded. The liability of Audix, if any, for damages relating to allegedly defective products shall be limited to the actual price paid by Dealer for such products and shall in no event include incidental or consequential damages of any kind. Should your microphone fail in any way, please contact the Audix Service department at 503.682.6933. A Return Authorization is required before returning any product. OTHER THAN THIS WARRANTY, AUDIX MAKES NO WARRANTIES, EXPRESS OR IMPLIED, WITH RESPECT TO THE PRODUCTS, THE USE OF THE PRODUCTS, THE PERFORMANCE OF THE PRODUCTS. AUDIX SHALL NOT BE LIABLE FOR SPECIAL INCIDENTAL, CONSEQUENTIAL, INDIRECT OR SIMILAR DAMAGES ARISING FROM OR BASED ON THE SALE, USE, STORAGE OR DISPOSAL OF THE PRODUCTS, AUDIX'S SERVICE WORK, BREACH OF WARRANTY, BREACH OF CONTRACT. NEGLIGENCE, OR ANY OTHER THEORY OF LIABILITY, EVEN IF AUDIX HAS BEEN ADVISED OF THE POSSIBILITY OF SUCH DAMAGES.

ARCHITECT AND ENGINEER SPECIFICATIONS

The phantom power adapter shall be circular in shape in order to be discreetly placed on a solid floor surface or on a stage. The phantom power adapter shall operate at phantom power voltages between 9-52 volts and convert to 2.5 volts for electret microphones with an internal load. The phantom power adaptor shall have a mini XLRm input connector on one end and a standard XLRm connector on the opposite end. The connectors shall be gold plated. The circuit board will consist of ROHS surface mount components and utilize lead free solder paste. The distortion level shall be less than .03% at 1 kHz with 100mV rms input voltage and less than 1% at 1kHz with 1V rms input voltage. The weight shall be 6 oz with dimensions of 2.5 inches x .79 inches in diameter.

OPERATION AND MAINTENANCE

The APS910 is very simple to use. Before plugging cables into the APS910, be sure that the mixing console is either off or muted. The cable from the microphone will terminate in a mini XLR female connector. Plug this connector into the small end of the APS910 which has a 3 pin mini-XLR male connector. The pins must match for a successful connection; there is a keylock for the correct location. The other end of the APS910 is a standard XLR male. This mates with a standard microphone cable. The XLR female side of the microphone cable will plug into the APS910. Similarly, there is a keylock to guide the connection. To disconnect either side push down on the spring release on the connector with your thumb and the cable can be disengaged.